

# 1114 G Horizontal drilling rig



## 1114 G Technical Data

### ENGINE

Diesel Engine	Deutz TCD 3.4 L4
Power	90 kW
Weight std. Drilling rig	Ca. 5 000 kg
Weight std. Power pack	3 650 kg

### FEEDER

Feed length	4 000 kg
Feeder force	6 000 kg
Pull up	14 000 kg
Drill table	Ø620 mm
Feed Extention	1 000 mm
Rapid feed	0,70 m/sec
Rapid pull up	0,60 m/sec
Pipe wrench cylinder	Ø 90 mm

### ROTATION UNIT

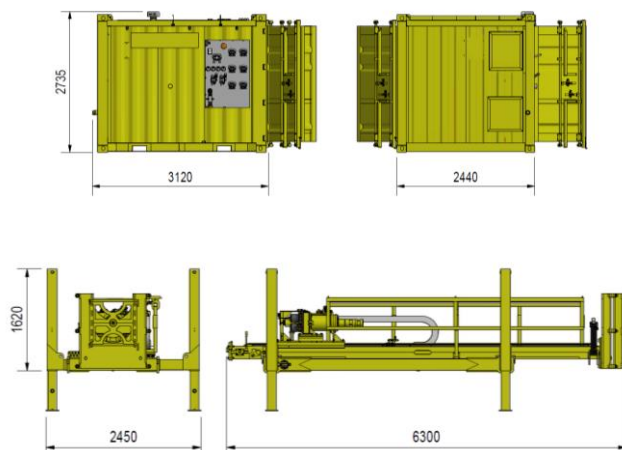
Torque	8000 / 16000 Nm
Rotation speed	0-75 / 0-37 rpm
Spindel thread API 2	API2 - 7/8"IF

### OTHER

Battery	2 x 50 Ah dry
Hydr. tank	350 L
Diesel Tank	180 L

### OPTIONAL EQUIPMENT

Welding machine  
 Water pump  
 Diverter housing  
 Crane 2,7 tm alt. 4 tm, radiocontrolled  
 Other equipment delivered acc. to agreement



From the very first Qmatec /Nemek produced rig in 1966, our rigs have been developed and improved in close collaboration with visionary customers. Our employees have long experience and are proud of their profession. Our service people are available where you are, 24-hours a day. This ensures quality throughout the entire process and helps you to be profitable every day – year after year.



**1114 G**  
[www.qmatec.no](http://www.qmatec.no)  
 Additional technical data  
 More pictures

### Qmatec Drilling AS

Verkstadvegen 12, 3890 VINJE

Phone: +47 35063400  
 E-mail: [mail@qmatec.com](mailto:mail@qmatec.com)  
 Web page: [www.qmatec.no](http://www.qmatec.no)