

# 1130 TST Foundation Rig



# 1130 TST Technical Data

## ENGINE

Diesel Engine	Deutz TCD 6.1 L6
Power	180 kW
Tractive power	25 000 kg
Shoe width	500 mm
Weight std. type from	23 000 kg

## FEEDER

Feed length	7 000 mm
Feeder force	14 000 kg
Pull up	30 000 kg
Mast winch	750 kg
Drill table	Ø520 mm
Feed Extention	1500 mm
Rapid feed	0,30 m/sec
Rapid pull up	0,30 m/sec
Pipe wrench cylinder	Ø 90 mm

## ROTATION UNIT

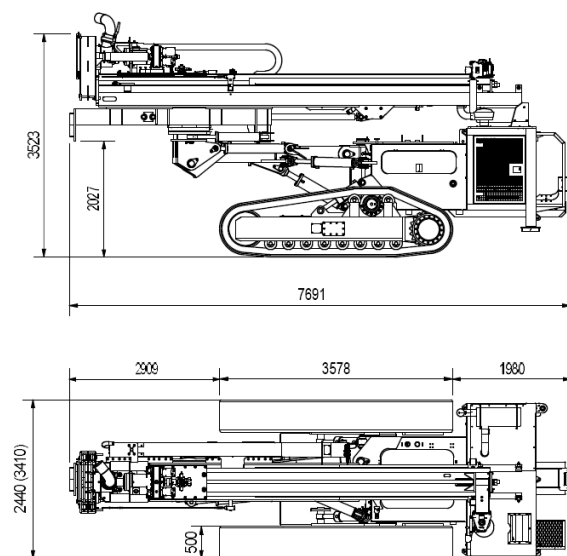
Torque	Max 8 000 / 16 000 Nm
Rotation speed	0-75 / 0-37 rpm
Spindel thread API 2	API 2 - 7/8"IF

## OTHER

Oscillation	+10-10 gr
Speed track	2,5 / 4,0 km/h
Battery	2 x 50 Ah dry
Hydr. tank	430 L
Diesel Tank	360 L

## OPTIONAL EQUIPMENT

- Main winch 6000 kg.
- Different types of welders
- Different types of water pumps and water tanks
- Diverter housing
- Pipe rack
- Crane 2,7 tm alt. 4 tm, radiocontrolled
- Other equipment delivered acc. to agreement



From the very first Qmatec /Nemek produced rig in 1966, our rigs have been developed and improved in close collaboration with visionary customers. Our employees have long experience and are proud of their profession. Our service people are available where you are, 24-hours a day. This ensures quality throughout the entire process and helps you to be profitable every day – year after year.



**1130 TST**  
[www.qmatec.no](http://www.qmatec.no)  
 Additional technical data  
 More pictures

## Qmatec Drilling AS

Verkstadvegen 12, 3890 VINJE

Tlf: +47 35063400

E-mail: [mail@qmatec.com](mailto:mail@qmatec.com)

Web.page: [www.qmatec.no](http://www.qmatec.no)